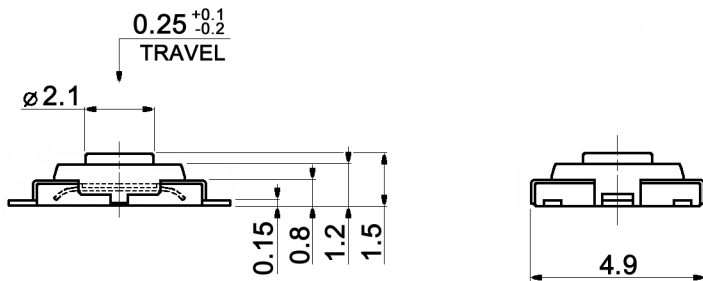
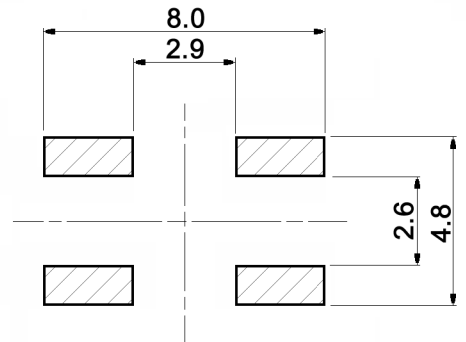
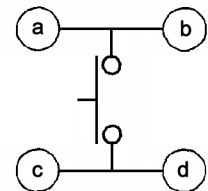


SURFACE MOUNT DIMENSION



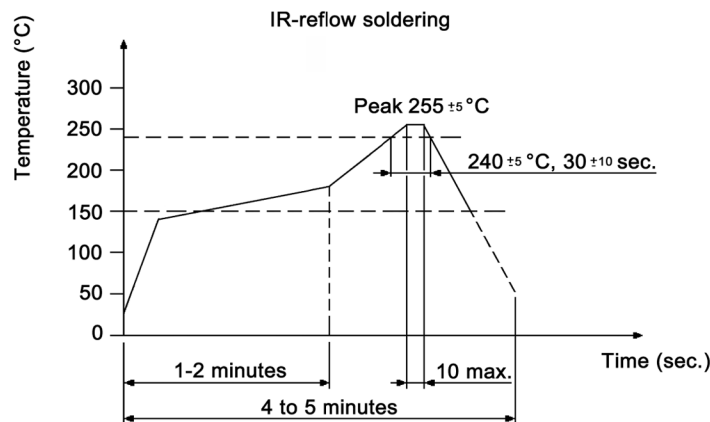
CIRCUIT DIAGRAM



Specifications:

- Contact rating: max.: 0.05A, 12V DC
- Contact resistance: 100mOhm max.
- Insulation resistance: 100MOhm min. at 100V DC for 1 minute
- Dielectric strength: 500V AC (50/60Hz, 2mA) for 1 minute
- Operating temperature: -20°C to +70°C
- Mechanical life: 100 000 cycles
- Operating force: 250 +/-70gf
- Material:
 - Cover: stainless steel, natural
 - Stem: aluminum, natural
 - Contact clip: stainless steel, silver plated 0.5µm
 - Terminal: brass, silver plated 0.5µm
 - Membrane: polyamide, natural

Soldering conditions:



Tolerances: up to 10: ±0.2mm above 10-50: ±0.3mm	Date	Name
	03/09	dr
Sheet review	03/09	dr
Modifications	Date	Name

TSS 507

30 02 64

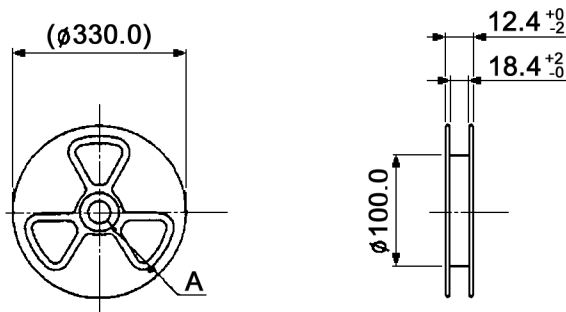
Page

1/2

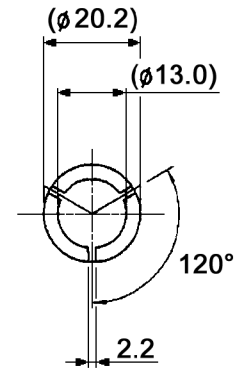
knitter-switch

Packaging:

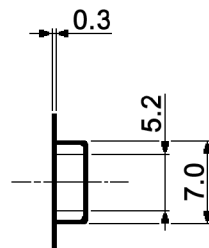
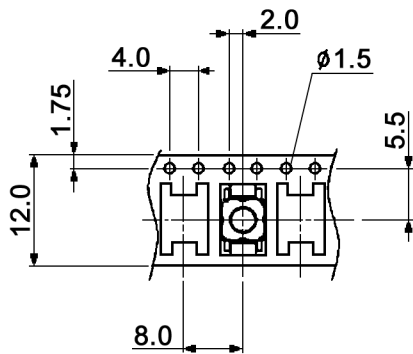
REEL



DETAIL "A"



CARRIER TAPE



COVER TAPE



Packaging unit: 4 000 pcs. / reel



Tolerances: up to 10: ±0.2mm above 10-50: ±0.3mm	Date	Name
	03/09	dr
Modifications	Date	Name

TSS 507

knitter-switch

30 02 64

Page

2/2